



PROFESSIONAL LAUNDRY

PROFESSIONAL WASHERS HIGH SPIN LAP-08/10 TP2



CHARACTERISTICS

OUTSTANDING FEATURES

- High G FACTOR of 450.
- User-friendly and totally programmable TP2 microprocessor with a 4,3" touch screen.
- 8 dosing signals as standard.
- 2 water inlets.
- Wet cleaning standard with the TP2.
- Short washing cycles (Heating Power 6 kW).

CONNECTIVITY

- IoT - FagorKonnect standard.
- Management of laundries: OPL and COIN.
- Remote payment.

EFFICIENCY

- Water saving: automatic adjustment of water and chemicals.
- Optimal loading: manual indication of the loading weight.

VERSATILITY

- OPL <> COIN.
- ELECTRIC <> HOT WATER.
- PUMP <> DRAIN VALVE.
- SINGLE <> STACKED.
- USB Connection. Online platform free of charge for programming, telemetry, data analysis...thanks to the IoT.
- Wet cleaning features ready.
- Suitable for many sectors: restaurants, gyms, campings, mop cleaning, apartments, coin laundries, dry cleaners, nurseries...

ROBUSTNESS

- Outer casing in grey skinplate.
- Robust aluminium door.
- AISI-304 stainless steel inner/outer drum and ribs.
- No inner drum seal (muffle), easy to repair/clean.

- Industrial house bearing and bearings (Up to 20.000 working cycles) and possibility to replace bearings.
- Same motor and inverter as LA industrial washers.
- Industrial and heavy duty doorlock.

OTHERS

- Free standing washers. (leveling feet included).
- Detergent dispenser with 4 compartments.
- Frequency inverter to control imbalances.
- CE and WRAS approved product.

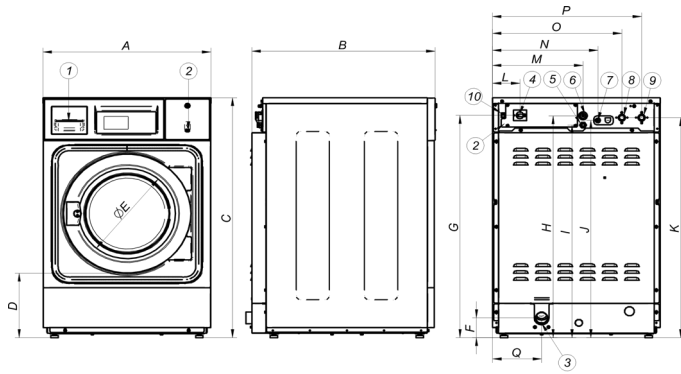
OPTIONS

- Dosing pump kit DQ-2.
- Extra dosage pump DB-1. Extra individual pumps.
- Double drain.
- Drain-pump kit.
- Silicon gasket.
- Reversible door opening.
- Tropicalized model: protected board.
- Top soapbox for HPW.
- Relay card with 6 extra dosing signals: up to 14 signals.
- Normally closed drain valve.
- Plinth for better ergonomics.
- Plinth for mops, with filter (only valve models).
- Plinth for water recovery (tank included).
- Stainless steel AISI 304 outer casing.
- Auto unlock kit for the door (in case of power failure).
- Order in complete container + compact packing.
- Maritime voltage for electric models: 440V III 50/60 Hz No neutral.
- Coin/token kit.

TECHNICAL DATA

PROFESSIONAL WASHERS | HIGH SPIN | LAP-08/10 TP2

	U.	LAP-08 TP2 V	LAP-08 TP2 P	LAP-10 TP2 V	LAP-10 TP2 P				
DRUM									
Load capacity 1:9 / 1:10	Kg	9/8	9/8	11/10	11/10				
Volume	l	80	80	100	100				
	gal	21,1	21,1	26,4	26,4				
Diameter	mm	532	532	532	532				
	inch	20,9	20,9	20,9	20,9				
Depth	mm	360	360	425	425				
	inch	14,1	14,1	16,7	16,7				
GENERAL DETAILS									
Washing speed / Spinning speed	r.p.m.	50/1.250	50/1.250	50/1.250	50/1.250				
G Factor	-	450	450	450	450				
Maximum force transmitted	KN	1,47 ± 0,53	1,47 ± 0,53	1,57 ± 0,53	1,57 ± 0,53				
Frequency-dynamic force	Hz	18,33	18,33	18,33	18,33				
Noise level	dB	<70	<70	<70	<70				
Coin laundry version	-	Opt	Opt	Opt	Opt				
Double drain	-	No	No	No	No				
Weighing / Tilting system	-	No/No	No/No	No/No	No/No				
SLUICE option	-	No	No	No	No				
DOOR									
Height center door / base door	mm	537/280	537/280	537/280	537/280				
	inch	21,1"/11"	21,1"/11"	21,1"/11"	21,1"/11"				
Diameter	mm	373	373	373	373				
	inch	14,6"	14,6"	14,6"	14,6"				
POWER									
Motor	kW	0,75	0,75	0,75	0,75				
Electric heating power	kW	6	6	6	6				
Total electric power (elec.)	kW	6,25	6,25	6,25	6,25				
Total electric power (hot water)	kW	0,75	0,75	0,75	0,75				
CONNECTIONS									
Tension 110V I+N+T	N° x mm²/A	-	3x1,5/16A	-	3x1,5/16A	-	3x1,5/16A	-	3x1,5/16A
	N° x AWG/A	-	3x15/15A	-	3x15/15A	-	3x15/15A	-	3x15/15A
Tension 230V I+N+T	N° x mm²/A	3x6 / 40A	3x1,5/16A	3x6 / 40A	3x1,5/16A	3x6 / 40A	3x1,5/16A	3x6 / 40A	3x1,5/16A
	N° x AWG/A	3x9 / 35A	3x15/15A	3x9 / 35A	3x15/15A	3x9 / 35A	3x15/15A	3x9 / 35A	3x15/15A
Tension 230V III+T	N° x mm²/A	4x2,5 / 20A	-	4x2,5 / 20A	-	4x2,5 / 20A	-	4x2,5 / 20A	-
	N° x AWG/A	4x13 / 20A	-	4x13 / 20A	-	4x13 / 20A	-	4x13 / 20A	-
Tension 400V III+N+T	N° x mm²/A	5x1,5 / 16A	-	5x1,5 / 16A	-	5x1,5 / 16A	-	5x1,5 / 16A	-
	N° x AWG/A	5x15 / 15A	-	5x15 / 15A	-	5x15 / 15A	-	5x15 / 15A	-
Water inlet	inch	3/4"	3/4"	3/4"	3/4"	3/4"	3/4"	3/4"	3/4"
Main pressure	Kg/cm²	2-4	2-4	2-4	2-4	2-4	2-4	2-4	2-4
Maximum water consumption	Lit/h	49,6	49,6	62	62	62	62	62	62
Drain	mm/inch	2"	2"	2"	2"	2"	2"	2"	2"
Drainage capacity	Lit/min	140	140	140	140	140	140	140	140
	GPM	36,98	36,98	36,98	36,98	36,98	36,98	36,98	36,98
NET DIMENSIONS / PACKING DIMENSIONS									
Net width / Gross width	mm	680/710	680/710	680/710	680/710				
	inch	26,7"/27,9"	26,7"/27,9"	26,7"/27,9"	26,7"/27,9"				
Nwt depth / Gross depth	mm	698/832	698/832	742/832	742/832				
	inch	27,48"/32,7"	27,48"/32,7"	29,2"/32,7"	29,2"/32,7"				
Net height / Gross height	mm	1040/1158	1040/1158	1040/1158	1040/1158				
	inch	40,9"/45,59"	40,9"/45,59"	40,9"/45,59"	40,9"/45,59"				
Net weight / Gross weight	Kg	150/161	150/161	155/166	155/166				
	inch	330,69/354,9	330,69/354,9	341,7/365,9	341,7/365,9				
Volume	m³	0,68	0,68	0,68	0,68				
	ft³	24	24	24	24				



1. Soap dispenser
2. USB port
3. Drain
4. Main switch
5. Electric connection to liquid soap pumps
6. Electrical connection
7. Liquid soap connection
8. Cold water inlet
9. Hot water inlet
10. Ethernet port

	A	B	C	D	E	F	G	H	I	J	K	L	M	N	O	P	Q
LAP-08 TP2 V	680	698	1.040	278	373	86	964	962	922	942	954	110	366	427	524	603	199
LAP-08 TP2 P	680	698	1.040	278	373	86	964	962	922	942	954	110	366	427	524	603	199
LAP-10 TP2 V	680	742	1.040	278	373	86	964	962	922	942	954	110	366	427	524	603	199
LAP-10 TP2 P	680	742	1.040	278	373	86	964	962	922	942	954	110	366	427	524	603	199