

DRYING

HEAT PUMP DRYERS ADVANCE+ SR-11/14 TP2 PLUS HPI

CHARACTERISTICS

TP2

- 7" colour touch screen, programmable and easy to use.
- USB connection.
- FAGORKONNECT - Includes online platform for programming, telemetry, data analysis, via IoT, etc.
- On-screen videos: announcements, instructions (useful for self-service).
- 37 languages.

OUTSTANDING FEATURES

- FREQUENCY INVERTER - Standard inversion of rotation.
- STAINLESS DRUM - Stainless steel drum standard.
- Standard frequency inverter.

EFFICIENCY

- TOTAL FLOW - Axial-radial airflow system. Intelligent humidity sensor.
- EFFICIENT AIRFLOW - Large debris filter. Double glazing.
- Low energy consumption.

VERSATILITY

- Made to measure - customisation.
- WET CLEANING.
- OPL > Self-service - The standard OPL dryer can be converted to a self-service version.
- No need for an outside outlet.

CONNECTIVITY

- IoT FagorKonnnect standard.
- Laundry management: OPL and self-service.
- Remote payment (self-service).

ERGONOMICS

- Stainless steel filter drawer.
- Large door diameters.
- Door opening direction reversal.

MAINTENANCE

- Hinged panel: easy and ergonomic access.
- Technical menu: statistics, data retrieval for after-sales service, software updates, etc..

OTHER

- Grey skinplate cabinet, stainless steel effect.
- SOFT TOUCH - Drum with recessed perforations.
- COOL DOWN - Cooling at the end of the cycle.
- Filter with larger surface area and improved air flow.
- CE approved.

OPTIONS

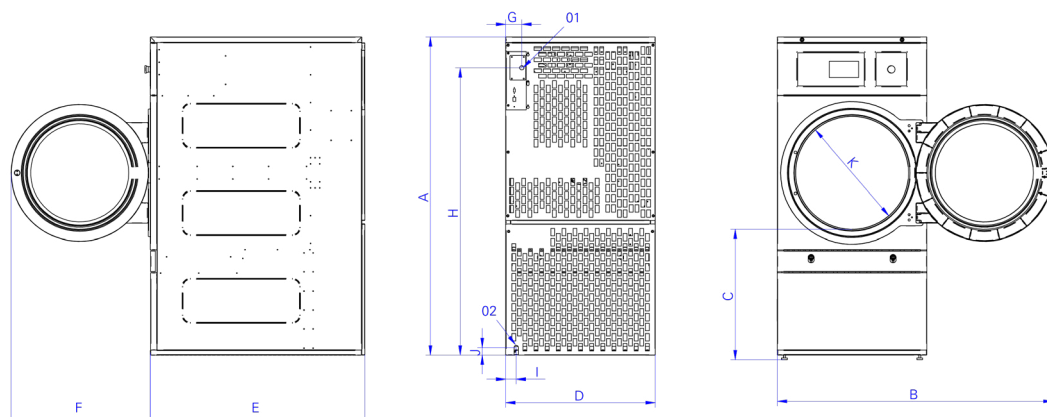
- IoT - FagorKonnnect.
- Opposing door opening.
- Tropicalised model.
- Stainless steel cabinet.
- Stainless steel front panel.
- Wooden packaging.



TECHNICAL DATA

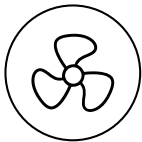
DRYERS | HEAT PUMP INVERTER | SR-11/14 TP2 HPI

	U.	SR-11 TP2 PLUS HPI	SR-14 TP2 PLUS HPI
CAPACITY			
Capacity 1:18	Kg	11,7	15
	Lb	25,7	33,1
Capacity 1:20	Kg	10,5	13,5
	Lb	23,1	29,8
Evaporation capacity	L/h	6,2	6,4
	USGallon/h	1,63	1,69
Hourly output	Kg/h	12,3	12,9
	Lb/h	27,1	28,4
Efficiency	kWh/L	0,45	0,44
DRUM			
Drum diameter Ø	mm	750	750
	inch	29,5	29,5
Ø Door	mm	574	574
	inch	22,6	22,6
Door center height	mm	976	976
	inch	38,4	38,4
Load hole bottom height	mm	689	689
	inch	27,13	27,13
Drum depth	mm	475	610
	inch	24,33	24,33
Volume	L	210	270
	cu ft	7,41	9,53
POWER			
Drum motor power	kW	0,37	0,37
Fan motor power	kW	0,17	0,17
Heating power	kW	2,2	2,2
Total electric power	kW	2,74	2,74
DIMENSIONS / PACKING DIMENSIONS			
Net width / Gross width	mm	785/865	785/865
	inch	30,9/34,1	30,9/34,1
Net Depth / Gross Depth	mm	1.040/1.125	1.040/1.125
	inch	40,9/44,3	40,9/44,3
Net Height / Gross Height	mm	1.694/1.840	1.694/1.840
	inch	66,7/72,4	66,7/72,4
Net weight / Gross weight	Kg	292/302	300/310
	Lb	644/666	661/683
OTHERS			
Max airflow	m ³ /h	Variable	Variable
Ø Fume exhaust	mm	No	No
Sound level	dB	61	61
Drain for moisture extraction (hose)	Φ / Long (mm)	12/2000	12/2000
	Φ / Long (inch)	0,47/78,74	0,47/78,74



01. Electrical connection
 02. Condensed water evaluation.
 2000 mm hose (1) and 12 mm inner diameter.
 (1) for greater distances, consult the installation manual.

	A	B	C	D	E	F	G	H	I	J	K
SR-11 TP2 PLUS HPi	1.694	1.450	689	785	855	730	85	1.530	55	90	574
SR-14 TP2 PLUS HPi	1.694	1.450	689	785	989	730	85	1.530	55	90	574



DRYING

HEAT PUMP DRYERS ADVANCE+ SR-18/22 TP2 PLUS HPI

CHARACTERISTICS

TP2

- 7" colour touch screen, programmable and easy to use.
- USB connection.
- FAGORKONNECT - Includes online platform for programming, telemetry, data analysis, via IoT, etc.
- On-screen videos: announcements, instructions (useful for self-service).
- 37 languages.

OUTSTANDING FEATURES

- FREQUENCY INVERTER - Standard inversion of rotation.
- STAINLESS DRUM - Stainless steel drum standard.
- Standard frequency inverter.

EFFICIENCY

- TOTAL FLOW - Axial-radial airflow system. Intelligent humidity sensor.
- EFFICIENT AIRFLOW - Large debris filter. Double glazing.
- Low energy consumption.

VERSATILITY

- Made to measure - customisation.
- WET CLEANING.
- OPL > Self-service - The standard OPL dryer can be converted to a self-service version.
- No need for an outside outlet.

CONNECTIVITY

- IoT FagorKonnnect standard.
- Laundry management: OPL and self-service.
- Remote payment (self-service).

ERGONOMICS

- Stainless steel filter drawer.
- Large door diameters.
- Door opening direction reversal.

MAINTENANCE

- Hinged panel: easy and ergonomic access.
- Technical menu: statistics, data retrieval for after-sales service, software updates, etc..

OTHER

- Grey skinplate cabinet, stainless steel effect.
- SOFT TOUCH - Drum with recessed perforations.
- COOL DOWN - Cooling at the end of the cycle.
- Filter with larger surface area and improved air flow.
- CE approved.

OPTIONS

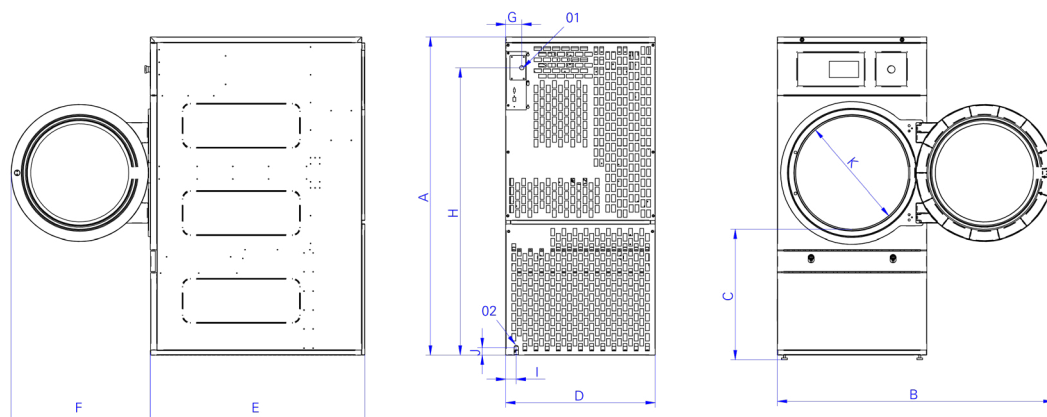
- IoT - FagorKonnnect.
- Opposing door opening.
- Tropicalised model.
- Stainless steel cabinet.
- Stainless steel front panel.
- Wooden packaging.



TECHNICAL DATA

DRYERS | HEAT PUMP INVERTER | SR-18/22 TP2 HPI

	U.	SR-18 TP2 PLUS HPI	SR-22 TP2 PLUS HPI
CAPACITY			
Capacity 1:18	Kg	18,3	24,3
	Lb	40,4	53,6
Capacity 1:20	Kg	16,5	21,9
	Lb	36,3	48,3
Evaporation capacity	L/h	7,1	7,5
	USGallon/h	1,88	1,98
Hourly output	Kg/h	14,1	15
	Lb/h	31,1	33,1
Efficiency	kWh/L	0,43	0,44
DRUM			
Drum diameter Ø	mm	750	835
	inch	29,5	32,9
Ø Door	mm	574	574
	inch	22,6	22,6
Door center height	mm	976	1.030
	inch	38,4	40,6
Load hole bottom height	mm	689	743
	inch	27,13	29,25
Drum depth	mm	746	800
	inch	24,33	26,46
Volume	L	330	438
	cu ft	11,64	15,54
POWER			
Drum motor power	kW	0,37	0,37
Fan motor power	kW	0,17	0,17
Heating power	kW	3,28	3,28
Total electric power	kW	3,82	3,82
DIMENSIONS / PACKING DIMENSIONS			
Net width / Gross width	mm	785/865	890/970
	inch	30,9/34,1	35/38,2
Net Depth / Gross Depth	mm	1.125/1.210	1.255/1.345
	inch	44,3/47,6	49,4/53
Net Height / Gross Height	mm	1.694/1.840	1.812/1.940
	inch	66,7/72,4	71,3/76,4
Net weight / Gross weight	Kg	307/320	330/350
	Lb	677/705	728/772
OTHERS			
Max airflow	m ³ /h	Variable	Variable
Ø Fume exhaust	mm	No	No
Sound level	dB	61	61
Drain for moisture extraction (hose)	Φ / Long (mm)	12/2000	12/2000
	Φ / Long (inch)	0,47/78,74	0,47/78,74



01. Electrical connection
 02. Condensed water evaluation.
 2000 mm hose (1) and 12 mm inner diameter.
 (1) for greater distances, consult the installation manual.

	A	B	C	D	E	F	G	H	I	J	K
SR-18 TP2 PLUS HPi	1.694	1.450	689	785	1.125	730	85	1.530	55	90	574
SR-22 TP2 PLUS HPi	1.812	1.500	743	890	1.255	730	90	1.650	90	90	574