

IRONING AND FOLDING

WALL IRONERS ROLLER Ø 180 P-18-100/120 M

CHARACTERISTICS

ELECTRONIC PROGRAMMER M

- Simple and user friendly: Electronic control: start/stop, selection of 4 temperatures.
- Preset ironing speeds, not adjustable.

EFFICIENCY

- Acoustic comfort : <55 dB
- Minimum space requirement: space saving, suitable for small spaces
- Ideal for processing small quantity of flat linen in facilities like restaurants, guest rooms, hostels...

ROBUSTNESS

- Nomex quality coating: resistant to high temperatures.
- Panels in skinplate, top panel in stainless steel.
- Wooden feeding board.

FEATURES

- Large roll contact area with the linen.
- Roll lifting control by pedal.
- Two available models:
 - Standard: roll with cotton polyester coating.
 - Nomex: roll with Nomex coating.

MAINTENANCE

- Easy installation: requires only an electrical connection.
- Easy access on both sides for maintenance.

OTHERS

- Irons flat linen with recommended relative moisture between 5 and 10 % from a tumble dryer
- Front feeding and return
- Roll ø 180 mm
- Working widths: 1.000 and 1.200mm
- Electric heating
- CE certification

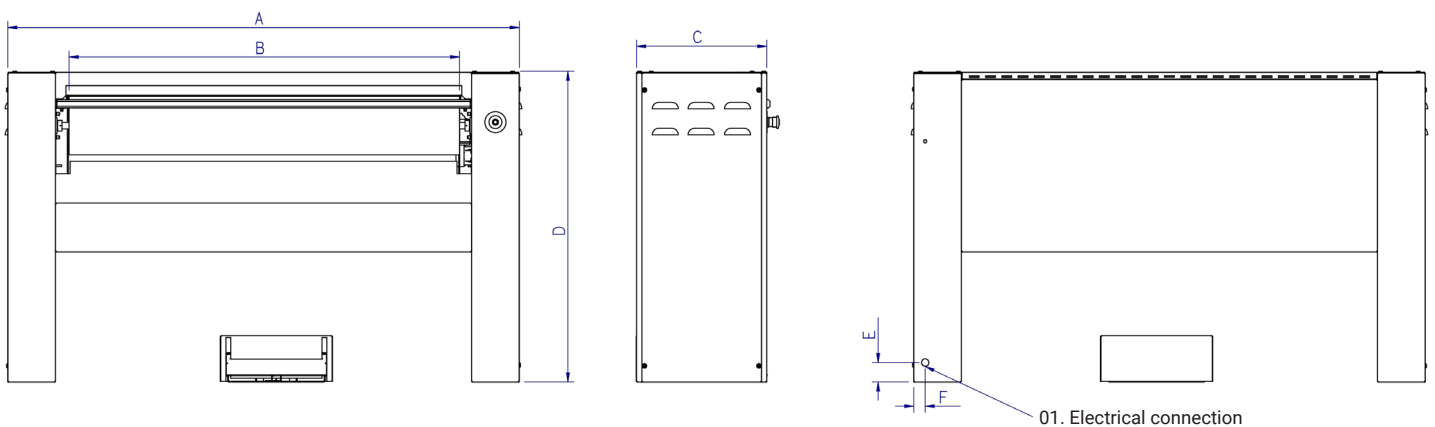


TECHNICAL DATA

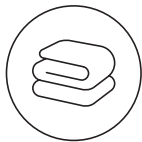
WALL IRONERS | ROLLER Ø 180 | P-18-100/120 M

	UNIT.	P-18/100 M	P-18/120 M
GENERAL DATA			
Theoretical production*	Kg/h	15	20
Ø Roll	mm	180	180
Working width	mm	1.000	1.200
Ironing speed	mt/min	2,02	2,02
Electronic programmer	-	Yes	Yes
Bed lifting	-	Manual by pedal	Manual by pedal
POWER			
Heating power	Kw	3,3	4
Roll motor power	Kw	0,029	0,029
Total electric power	Kw	3,329	4,029
CONNECTIONS		ELECTRIC	ELECTRIC
Tension 230V - I + N + T	N° x mm ² /A	3 x 4 / 16A	3 x 4 / 20A
Tension 400V - III + N + T	N° x mm ² /A	-	-
DIMENSIONS/ PACKING DIMENSIONS			
Net width / Gross width	mm	1.370 / 1.490	1.570 / 1.690
Net depth / Gross depth	mm	438 / 540	438 / 540
Net height / Gross height	mm	952/ 1.130	952 / 1.130
Net weight / Gross weight	Kg	80 / 100	90 / 110
Net volume / Gross volume	m ³	0,52 / 0,91	0,59 / 1,03
OTHERS			
Sound Level	dB	55	55

*5% -10% moisture

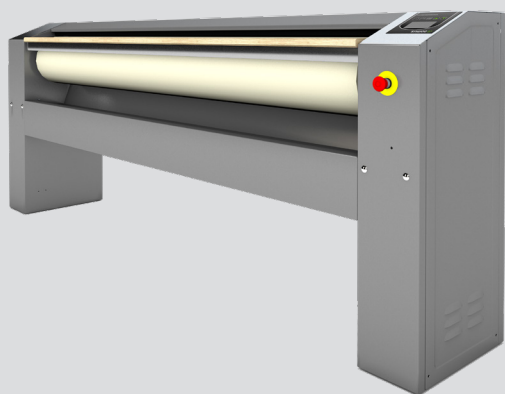


	A	B	C	D	E	F
P-18/100	1.370	1.000	400	952	60	35
P-18/120	1.570	1.200	400	952	60	35



IRONING AND FOLDING

WALL IRONERS ROLLER Ø 250 P-25-100/120/140/200 M



CHARACTERISTICS

ELECTRONIC PROGRAMMER

- Simple and user friendly : digital screen, precise control of temperature
- Preset ironing speeds, not adjustable

EFFICIENCY

- Acoustic comfort : 55 dB max
- Minimum space requirement: space saving, suitable for small spaces.
- Ideal for processing small quantity of flat linen in facilities like restaurants, guest rooms, hostels...

ROBUSTNESS

- Nomex coating: resistant to high temperatures
- Panels in grey skinplate and stainless steel
- Wooden feeding table
- New kinematics: better reliability
- Industrial roll axle and bearings: more durable

FEATURES

- Large roll contact area with the linen
- Automatic roll lifting control by foot cell detection.
- Two available models:
 - Standard: roll with cotton polyester coating.
 - Nomex: roll with Nomex coating.

MAINTENANCE

- Easy installation : requires only an electrical connection
- Easy access on both sides for maintenance
- Quick and easy dismantling of bearings

OTHERS

- Irons flat linen with recommended relative moisture between 5 and 10 % from a tumble dryer
- Front feeding and return
- Roll ø 250 mm
- Working widths: 1.000, 1.200 ,1.400 and 2.000 mm
- Electric heating
- CE certification

OPTIONS

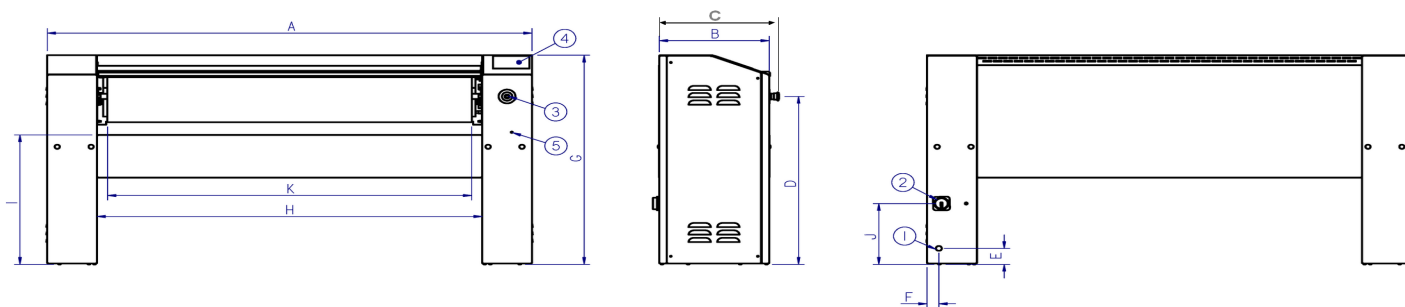
- Pedal control kit (instead of photocell)
- Marine voltage 440V III 60 Hz without N
- 230V III+T 50-60 Hz
- 230V I+N+T 50 Hz (except P25/200 model)

TECHNICAL DATA

WALL IRONERS | ROLLER Ø 250 | P-25-100/120/140/200 M

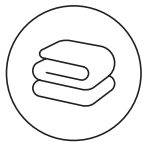
	UNIT.	P-25/100 M	P-25/120 M	P-25/140 M	P-25/200 M
GENERAL DATA					
Theoretical production*	Kg/h	25	27	30	35
Ø Roll	mm	250	250	250	250
Working width	mm	1.000	1.200	1.400	2.000
Ironing speed	mt/min	4,2	4,2	4,2	4.2
Electronic programmer	-	Yes	Yes	Yes	Yes
Bed lifting	-	Auto	Auto	Auto	Auto
POWER					
Heating power	Kw	4,95	6	7	12
Roll motor power	Kw	0,18	0,18	0,18	0,18
Total electric power	Kw	5,13	6,18	7,18	12,18
CONNECTIONS					
		ELECTRIC	ELECTRIC	ELECTRIC	ELECTRIC
Tension 230V - I + N + T	N° x mm²/A	3 x 6 / 25A	3 x 6 / 32A	3 x 10 / 40A	N/A
Tension 230V - III + T	N° x mm²/A	4 x 2,5 / 16A	4 x 4 / 20A	4 x 4 / 20A	4 x 6 / 32A
Tension 400V - III + N + T	N° x mm²/A	5 x 2,5 / 10A	5 x 2,5 / 10A	5 x 2,5 / 16A	5 x 4 / 20A
DIMENSIONS / PACKING DIMENSIONS					
Net width/ Gross width	mm	1.462 / 1.490	1.662 / 1.690	1.862 / 1.890	2.462 / 2.490
Net depth/ Gross depth	mm	484 / 540	484 / 540	484 / 540	484 / 540
Net height/ Gross height	mm	985 / 1.130	985 / 1.130	985 / 1.130	985 / 1.130
Net weight/ Gross weight	Kg	114 / 124	124 / 134	134 / 154	164 / 184
Volume	m3	0,70 / 0,91	0,80 / 1,03	0,89 / 1,15	1,17 / 1,51
OTHERS					
Sound Level	dB	55	55	55	55

*5% - 10% moisture



- 01. Electrical connection
- 02. Main switch
- 03. Emergency stop
- 04. Control panel
- 05. Access to inverter maintenance

	A	B	C	D	E	F	G	H	I	J	K
P-25/100	1.462	423	484	791	75	45	985	1.079	610	287	998
P-25/120	1.662	423	484	791	75	45	985	1.279	610	287	1.198
P-25/140	1.862	423	484	791	75	45	985	1.479	610	287	1.398
P-25/200	2.462	423	484	791	75	45	985	2.079	610	287	1.998



IRONING AND FOLDING

WALL IRONERS ROLLER Ø25 P-25-140/200 M PLUS

CHARACTERISTICS

ELECTRONIC PROGRAMMER M

- Simple and user friendly with an auto mode: automatic management of the ironing speed according to the selected temperature.
- Digital speed and temperature display

OTHERS

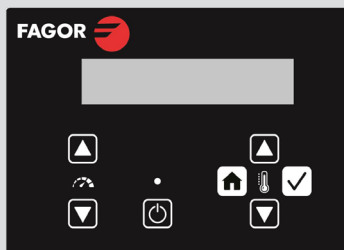
- Irons flat linen containing a residual moisture of up to 25% (recommended between 5 and 10% for other models)
- Front feeding and return
- Roll ø 250 mm
- Working widths: 1.400 and 2.000 mm
- Electric heating
- CE certification

EFFICIENCY

- Acoustic comfort : <60 dB max
- Minimum space requirement: space saving, suitable for small spaces.
- Ideal for processing small quantity of flat linen in facilities like restaurants, guest rooms, hostels...

OPTIONS

- Marine voltage 440V III 60 Hz without N
- 230V III+T 50-60 Hz



ROBUSTNESS

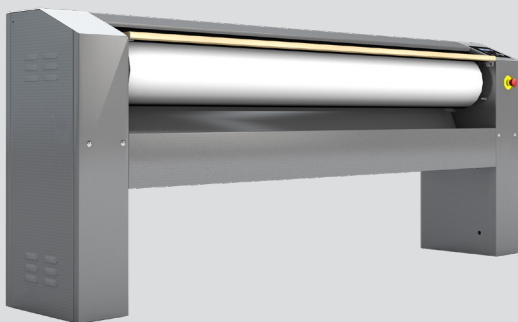
- Nomex coating: resistant to high temperatures
- Panels in grey skinplate and stainless steel
- Wooden feeding table
- New kinematics: better reliability
- Industrial roll axle and bearings: more durable

FEATURES

- Large roll contact area with the linen
- Mode of operation identical to a flatwork ironer: no roll lifting, more ergonomic.
- Models equipped with Nomex belts, suction and variable speed inverter: more productivity.
- Adjustable speed and temperature.

MAINTENANCE

- Easy installation : requires only an electrical connection.
- Easy access on both sides for maintenance.
- Quick and easy dismantling of bearings



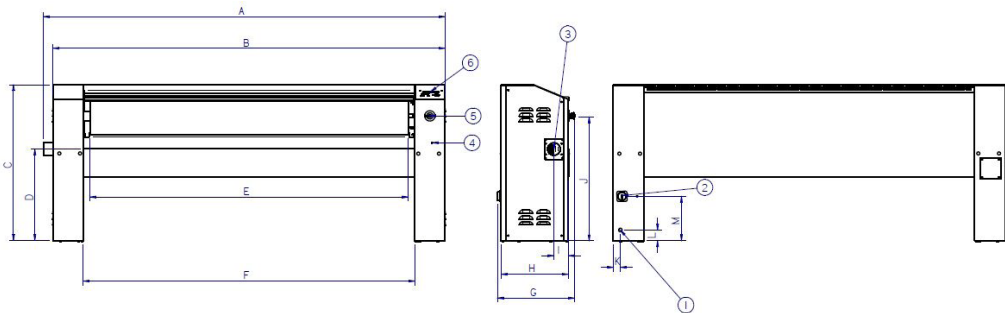
TECHNICAL DATA

WALL IRONERS | ROLLER Ø25 | P-25-140/200 M PLUS

	UNIT.	P-25/140 M PLUS	P-25/200 M PLUS
GENERAL DATA			
Theoretical production*	Kg/h	40	50
Ø Roll	mm	250	250
Working width	mm	1.400	2.000
Ironing speed	mt/min	1,5 - 6	1,5 - 6
Electronic programmer	-	M	M
Bed lifting	-	-	-
POWER			
Heating power	kW	7	12
Roll motor power	kW	0,18	0,18
Fan motor power	kW	0,12	0,12
Total electric power	kW	7,3	12,3
CONNECTIONS		ELECTRIC	ELECTRIC
Tension 230V - I + N + T	N° x mm ² /A	4 x 6 / 20A	4 x 10 / 40A
Tension 400V - N + III + T	N° x mm ² /A	5 x 4 / 16A	5 x 4 / 20A
DIMENSIONS / PACKING DIMENSIONS			
Net width/ Gross width**	mm	1.922 / 1.890	2.522 / 2.490
Net depth/ Gross depth	mm	484	484
Net height/ Gross height	mm	985	985
Net weight/ Gross weight	Kg	154 / 174	184 / 204
Volume	m ³	0,92 / 1,15	1,20 / 1,52
OTHERS			
No of fume outlet	No	1	1
Ø extraction	mm	80	80
Air flow	m ³ /h	500	500
Sound Level	dB	60	60

*20% - 25% moisture

**Suction disassembly on the left side



- 01. Electrical connection
- 02. Main switch
- 03. Ø 80 mm extraction
- 04. Crank
- 05. Emergency stop
- 06. M control

	A	B	C	D	E	F	G	H	I	J	K	L	M
P-25/140 M PLUS	1.922	1.862	985	610	1.400	1.480	484	423	91	791	45	75	287
P-25/200 M PLUS	2.522	2.462	985	610	2.000	2.080	484	423	91	791	45	75	287